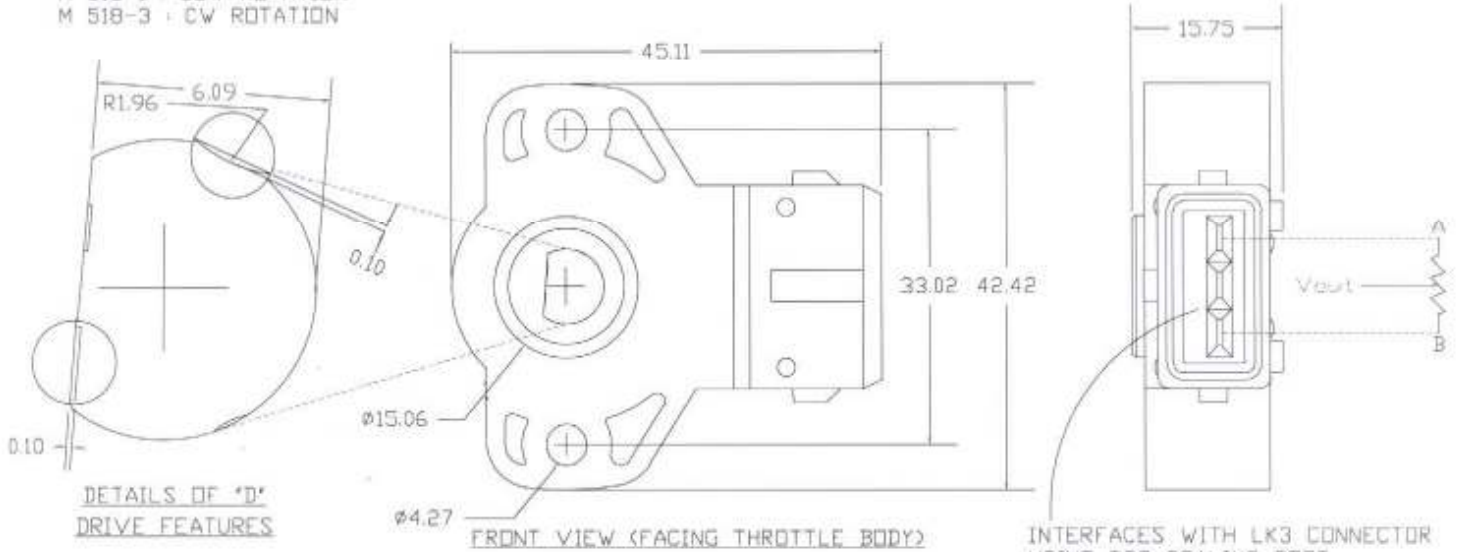


Motec

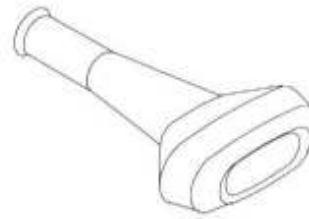
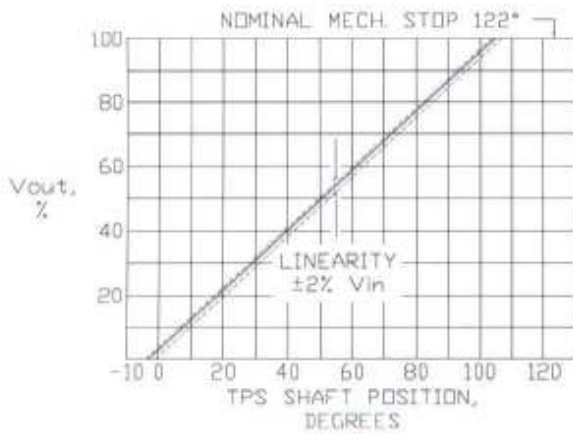
THROTTLE POSITION SENSORS

M 518-1 : CCW ROTATION

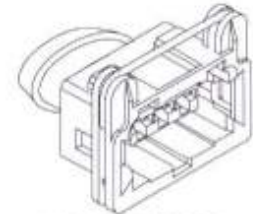
M 518-3 : CW ROTATION



INTERFACES WITH LK3 CONNECTOR USING RB3 SEALING BOOT
 PIN 1 ON M518-1 IS 5 VOLTS
 PIN 3 ON M518-3 IS 5 VOLTS



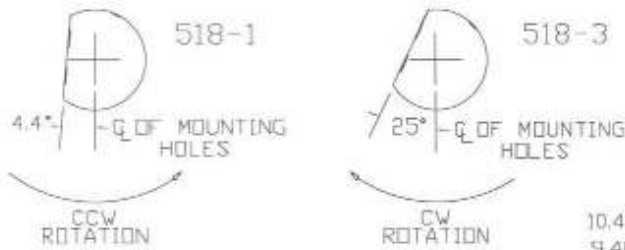
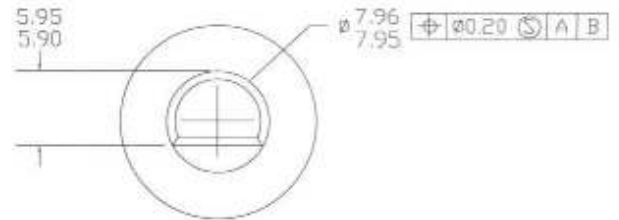
RB3 SEALING BOOT



LK3 CONNECTOR

CAUTION - MOUNTING INTERFACE
 'D' DRIVE ROTORS PROVIDE EXCELLENT HYSTERESIS PERFORMANCE BUT REQUIRE TIGHT CONTROL OF MOUNTING CONCENTRICITY WITH THE THROTTLE BODY AND DRIVE SHAFT.

RECOMMENDED MOUNTING



LOW END MECH. STOP POSITION.

SLIDE THROTTLE NOTE!
 FOR EXTREME VIBRATION & TEMPERATURE USE MOTEC M 518-1941

