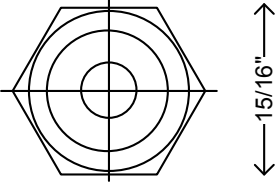


Motec

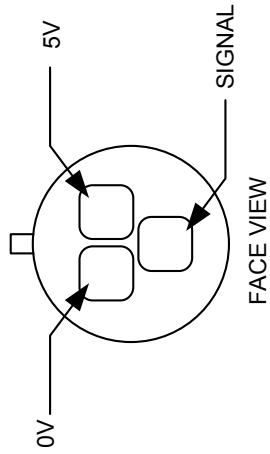
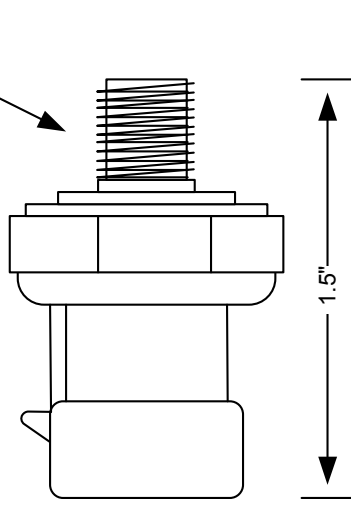
PRESSURE TRANSDUCER

M P150G-E10C



MATES WITH
M 15-7275K
CONNECTOR

1/8 BPST
THREAD



TECHNICAL SPECIFICATIONS:

SUPPLY VOLTAGE: 5.0 +/- .5 Vdc
 SUPPLY CURRENT: <5mA
 RESPONSE TIME: <10mS TO 63% OF OUTPUT CHANGE WITH STEP CHANGE IN PSI
 NORMAL OUTPUT VOLT: 0.5 Vdc
 ZERO PSI: 4.5 Vdc
 LINEARITY ERROR: <+/-0.5% OF FULL SPAN
 TOTAL ERROR BAND: <2.0% OF SPAN (-20C to +100C)

OUTPUT IMPEDENCE:
 OPERATING TEMP:
 VIBRATION:
 SHOCK:
 OVER-VOLT PROTECTION:
 REVERSE POLARITY PROTECTION:
 BURST PRESSURE:
 WEIGHT:

<100 OHM
 -20C to +100C
 10G's P-P SINUSOIDAL, FROM 10-2000HZ
 75 G's P-P SINUSOIDAL, FROM 10-2000HZ
 30 Vdc
 -30 Vdc
 600 PSI
 <40 GRAMS