

<b>Document Number</b>		RG_SPEC-0015	
<b>Title</b>		Professional Pressure Sensor	
<b>Revision</b>	<b>Date</b>	<b>Prepared By</b>	<b>Change History</b>
1.3	1/5/2015	DG	Recommissioned part with new part numbers
1.2	2/6/2012	Chris Brown	Added drawing with dimensions and mounting note.
1.1	2/6/2012	Chris Brown	Updated part numbers.

This professional line of pressure sensors have the repeatability and accuracy needed for the most demanding environments. These featuring an all stainless steel design compatible with all fluids. A dash-3 female thread for easy adoption to any fitting size through the use of an aluminium adapter available separately. All sensors feature a metri-pack electrical connection. Pressure ranges are available in either *Gage* or *Absolute*.

<b>Part #</b>	<b>Range</b>
M KP45 75A	75 PSI Absolute
M KP41 100G	100 PSI Gauge
M KP41 150G	150 PSI Gauge
M KP41 300G	300 PSI Gauge
M KP41 1000G	1000 PSI Gauge
M KP41 2000S	2000 PSI Gauge
M KP41 3000S	3000 PSI Gauge



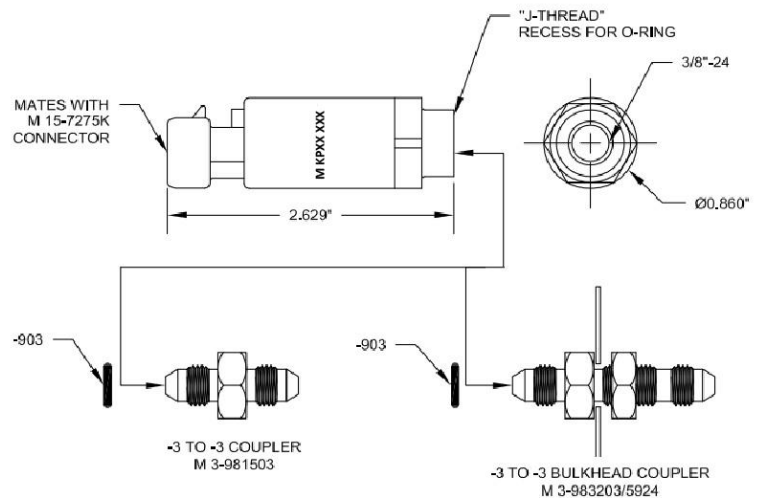
### Calibration:

0.5V = 0 PSI

4.5V = Full Scale Pressure

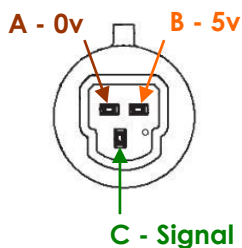
### Specifications:

- Fitting: Dash-3 female
- Output: 0.5 to 4.5 VDC
- Supply: 5 +/- 0.5 VDC
- Current: < 10mA
- Output Impedance: < 100 Ohm
- Temperature Range: -40°C to 125°C
- Total Error: 0.8% of F.S. Pres
- Proof Pressure: 2 x F.S. Pres
- Burst Pressure: 5 x F.S. Pres
- Main Seal: welded stainless
- Weight: 70 grams



Note: Sensor should be mounted remotely to avoid engine vibration damage.

### Connection:



- A - 0v
- B - 5v
- C - Signal

Mating Connector:  
Part # M 15-7275K

