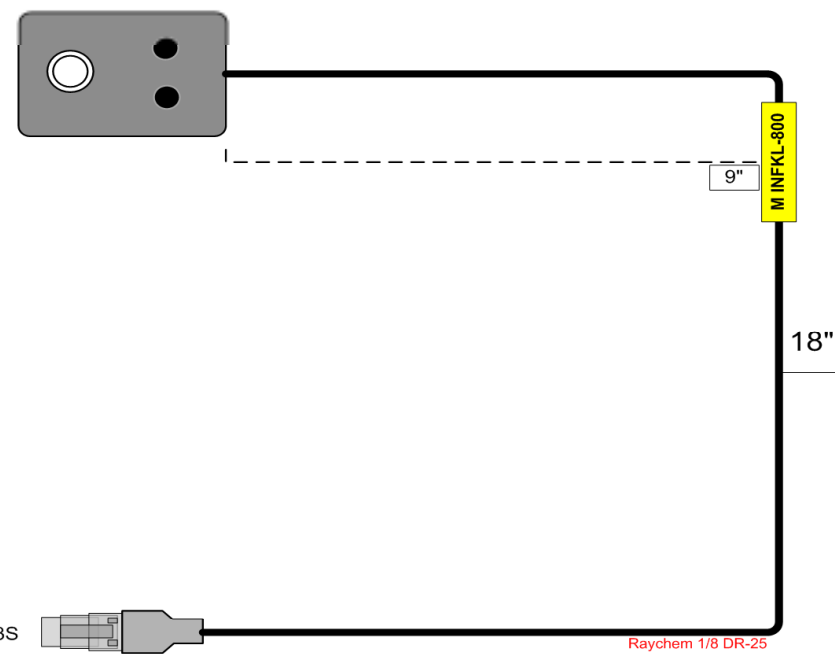
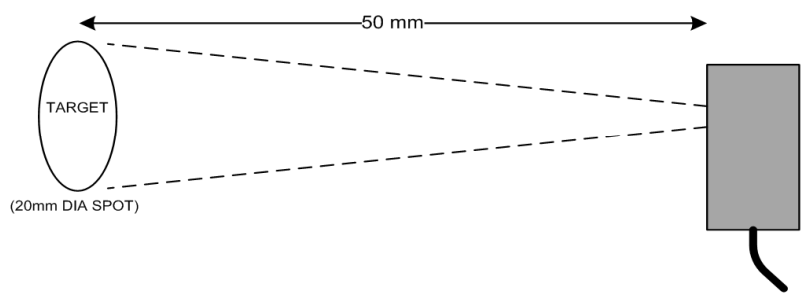




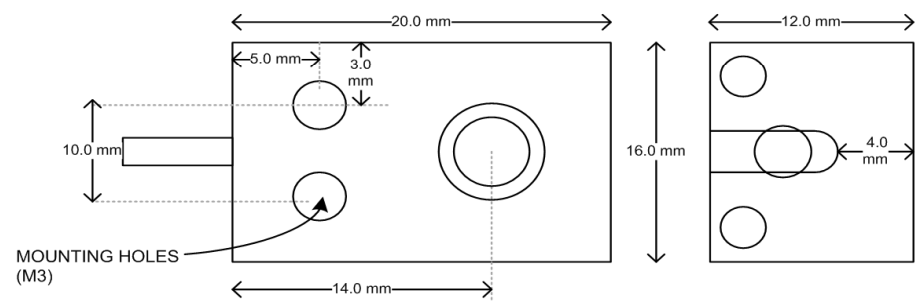
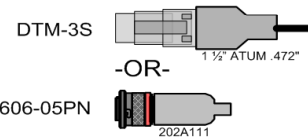
MOTEC SYSTEMS EAST

INFRARED TEMPERATURE SENSOR M INFKL-800 by TEXYS



ASL 606-05PN		
	FUNCTION	COLOR
1	0 VOLT	BLUE
2	-	-
3	SIGNAL	WHITE
4	-	-
5	5 VOLT	RED

DTM 3S		
	FUNCTION	COLOR
1	0 VOLT	BLUE
2	SIGNAL	WHITE
3	5 VOLT	RED



Aluminum Housing
Weight 26 g