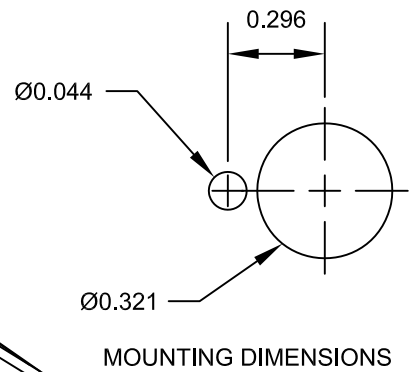
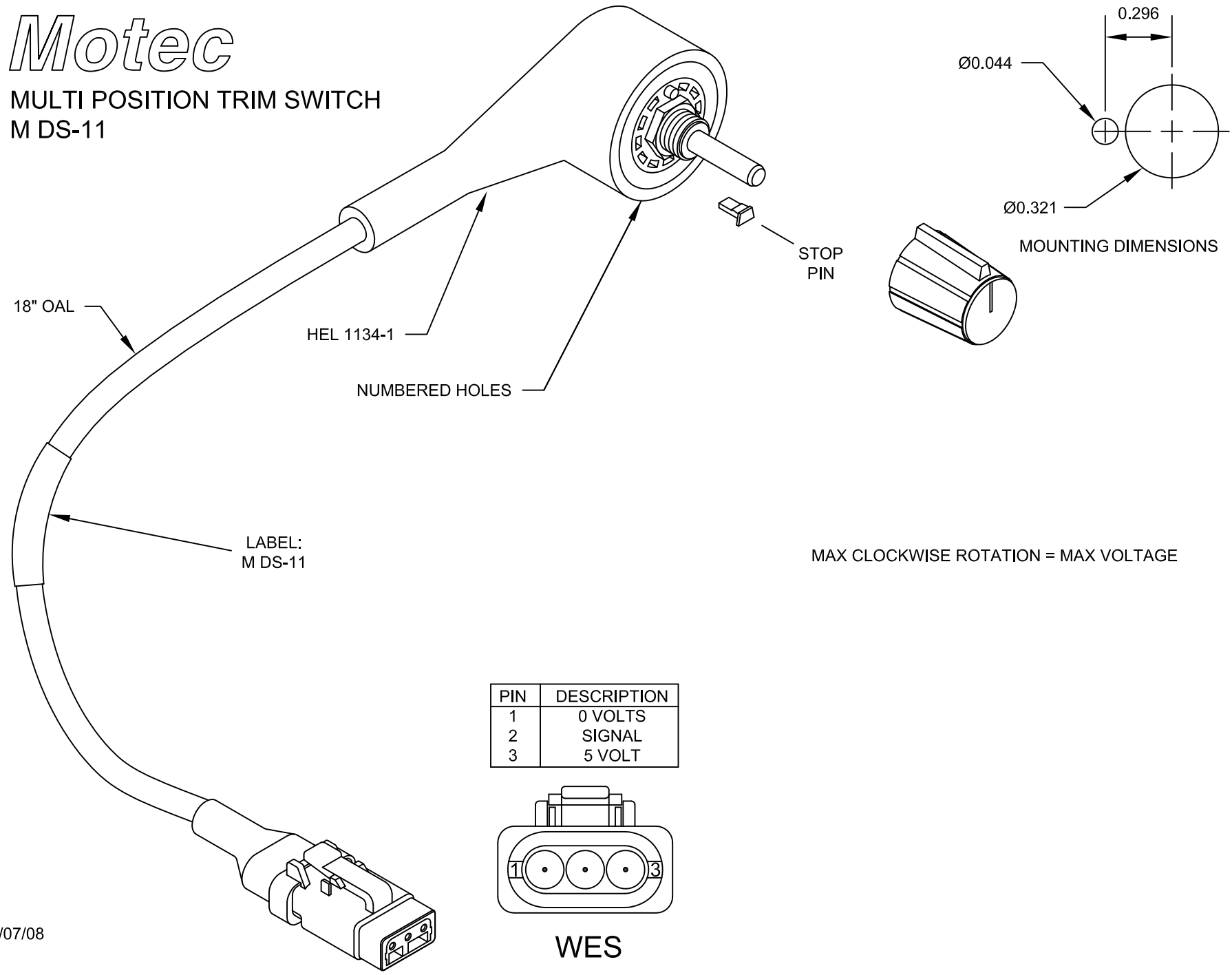


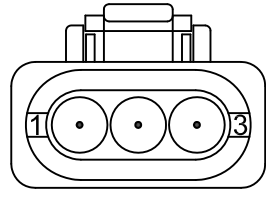
Motec

MULTI POSITION TRIM SWITCH M DS-11



MAX CLOCKWISE ROTATION = MAX VOLTAGE

PIN	DESCRIPTION
1	0 VOLTS
2	SIGNAL
3	5 VOLT



WES

1/07/08

DTM06-3S