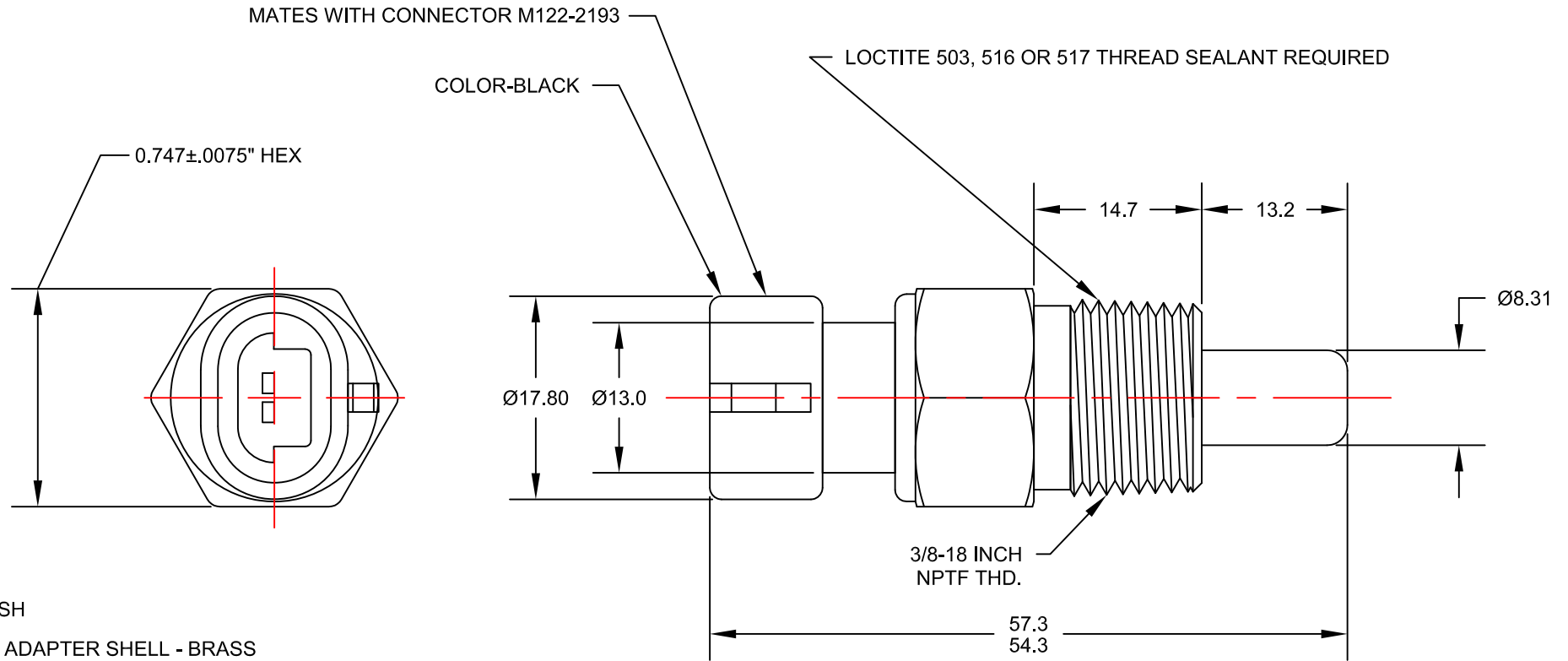


# Motec

## M25-5227 ENGINE TEMP SENSOR

DELCO 3300 OHM



### FINISH

ADAPTER SHELL - BRASS

ADAPTER CUP - BRASS

TERMINAL COVER - THERMOPLASTIC POLYESTER

TERMINALS - C.R.S. 1008 TIN PLATED

SENSOR SETUP	SENSOR TYPE	DESCRIPTION
MOTEC M4	2	DELCO 3.3K NTC
MOTEC M8	2	DELCO 3.3K NTC

10/17/02

### M 25-5227 Fluid Temp Sensor

### M 25-5227 Fluid Temp Sensor Delco 3300 Ohm

Temp Deg F	Temp Deg C	Resistance Ohms
302	150	47
284	140	60
266	130	77
248	120	100
230	110	131
212	100	176
194	90	240
176	80	332
158	70	466
140	60	667
122	50	972
104	40	1460
86	30	2237
68	20	3517
50	10	5602
32	0	9427
14	-10	16118
-4	-20	28807

Method - Variable Resistance

