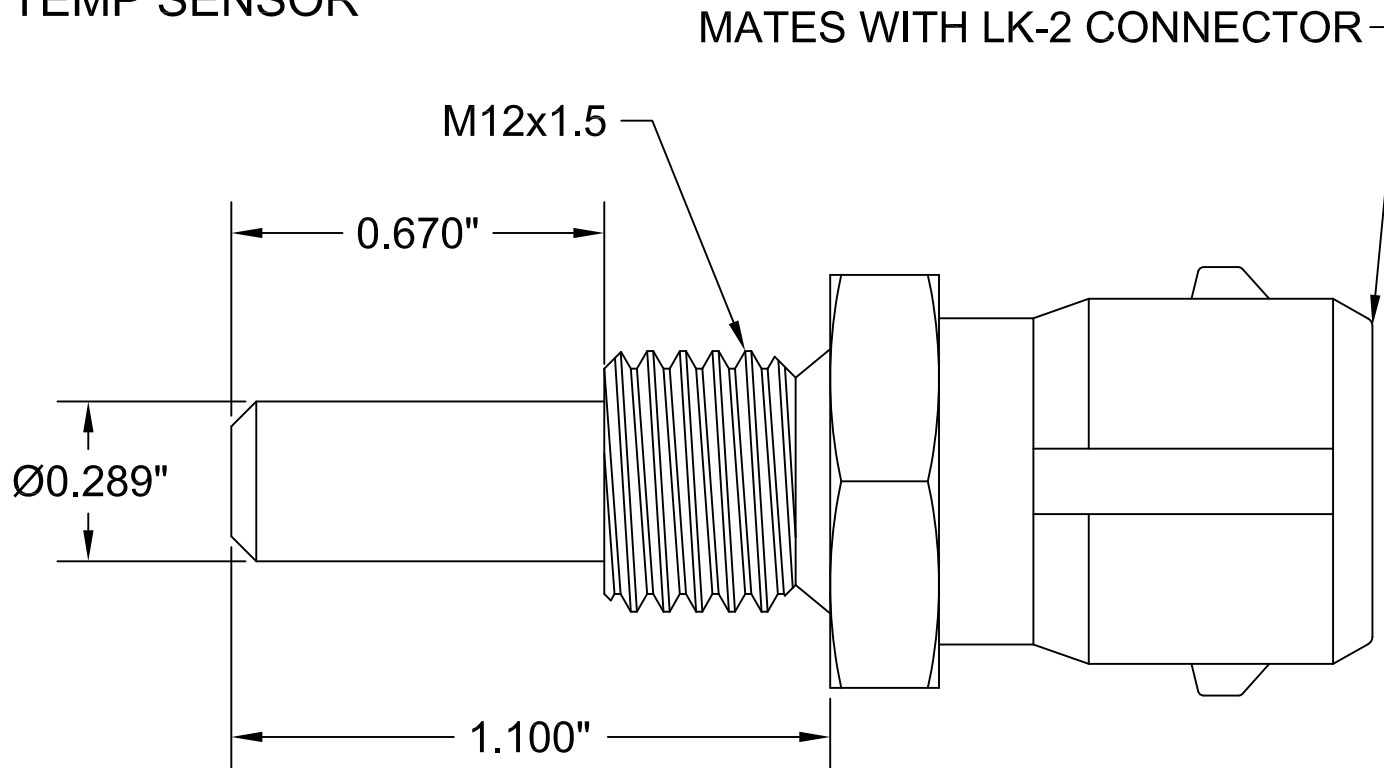


Motec

M 0280 026

ENGINE TEMP SENSOR



TEMPERATURE RANGE: -30 TO 130°C
MAX PRESSURE: 25 Bar

PIN	DESCRIPTION
1	0 VOLTS
2	SIGNAL

06/10/10