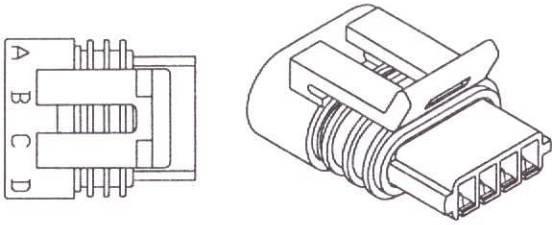


Motec

GM LS-2

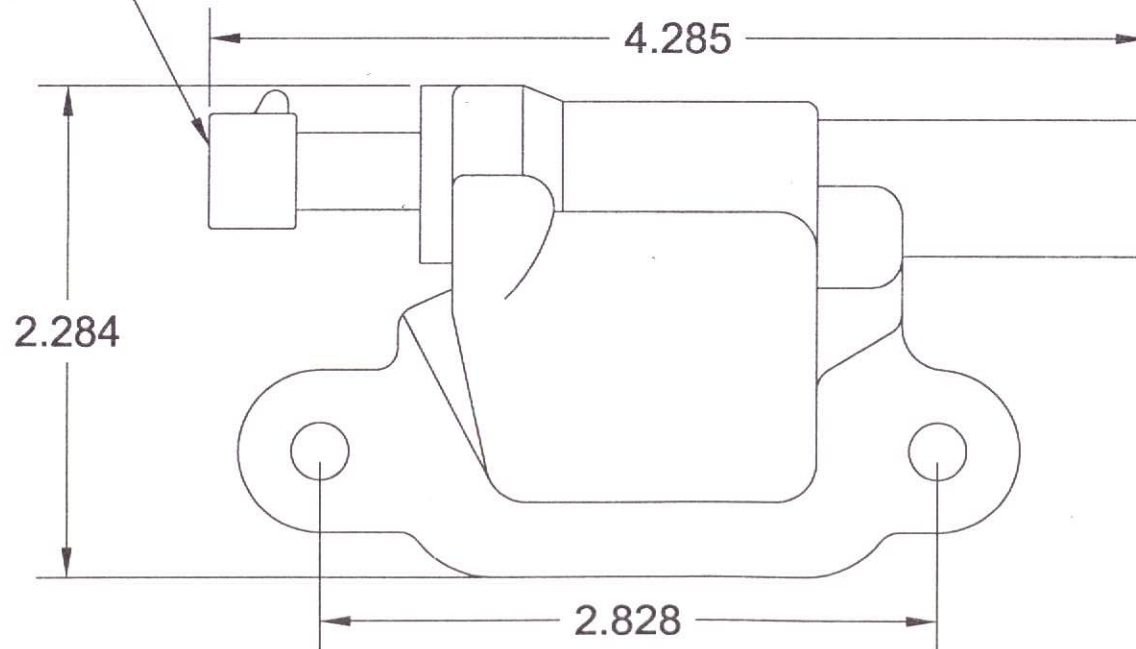
COIL NEAR PLUG

DWELL = 1.8 mSec



PIN	DESCRIPTION
A	ENGINE GROUND
B	LOGIC GROUND
C	EST IN
D	12 VOLT

MATES WITH
CONNECTOR
M 122-2834



VOLTS	DWELL
18	1.90
17	2.00
16	2.20
15	2.40
14	2.60
13	2.90
12	3.20
11	3.60
10	4.10
9	4.80
8	5.80