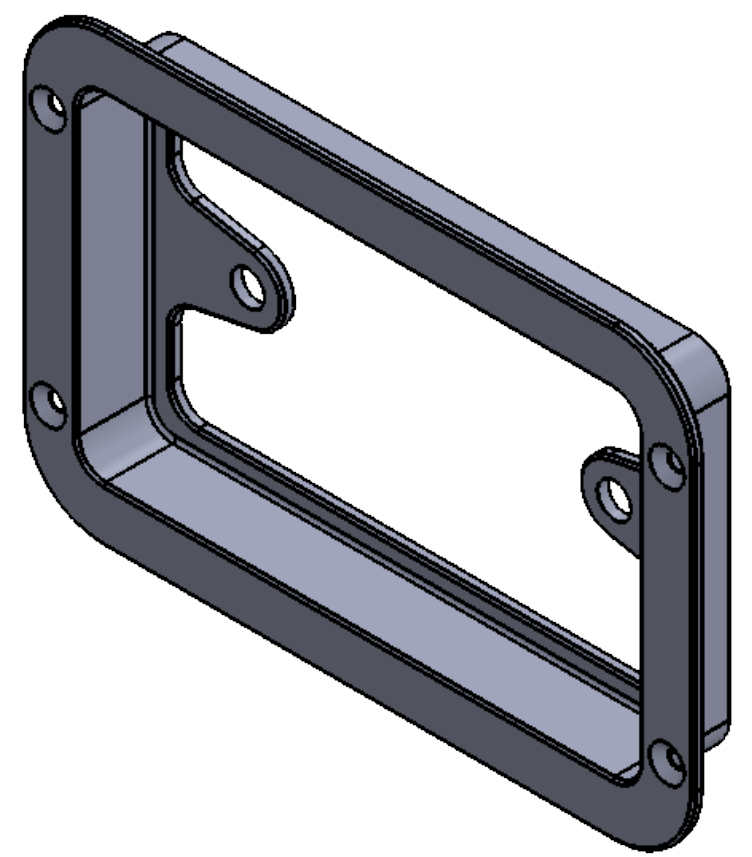


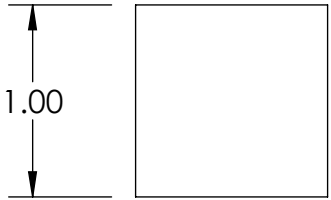
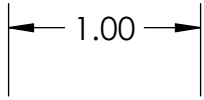
SECTION C-C
 SCALE 2 : 1



| | | | | |
|---|--|-----------|--------------|--|
| ANSI STANDARD | | NAME | DATE | TITLE: 8 BUTTON KEYPAD BEZEL |
| THIRD ANGLE PROJECTION: | | DRAWN | NB 11/4/2019 | |
| | | CHECKED | | |
| | | ENG APPR. | | |
| | | MFG APPR. | | |
| PROPRIETARY AND CONFIDENTIAL THE INFORMATION CONTAINED IN THIS DRAWING IS THE SOLE PROPERTY OF MoTeC USA. ANY REPRODUCTION IN PART OR AS A WHOLE WITHOUT THE WRITTEN PERMISSION OF MoTeC USA IS PROHIBITED. | | Q.A. | | SIZE B |
| MATERIAL | | COMMENTS: | | |
| FINISH | | | | REV |
| DO NOT SCALE DRAWING | | | | WEIGHT: |

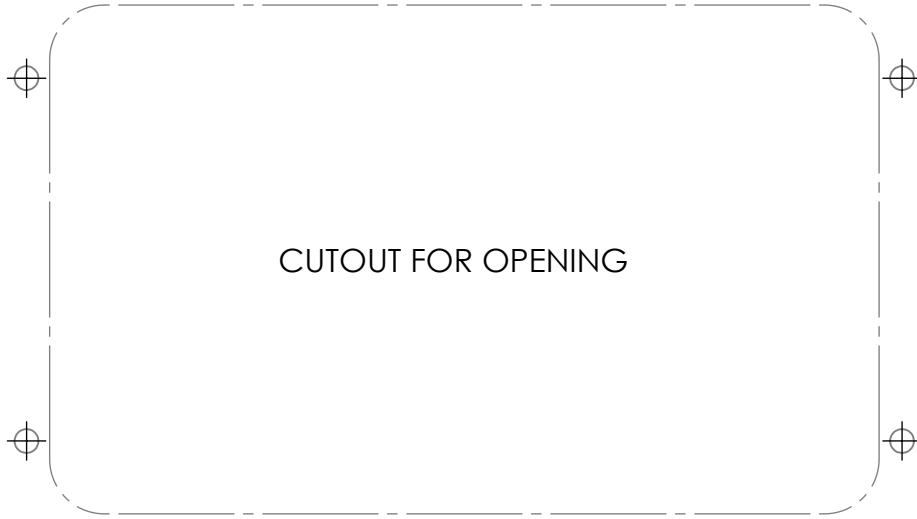
2

1



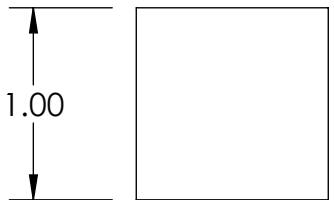
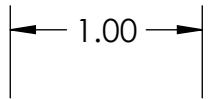
B

B



A

A



2

1

1:1 SCALE FOR PRINTOUT