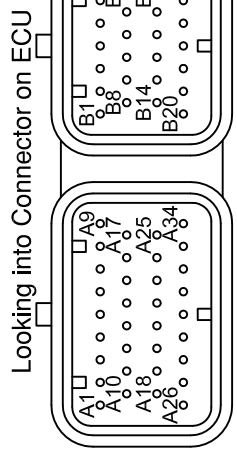
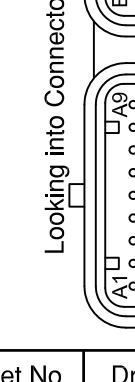
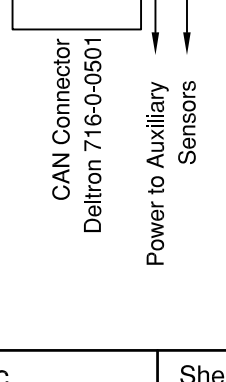
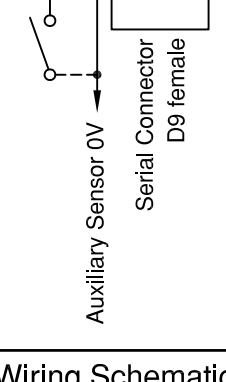
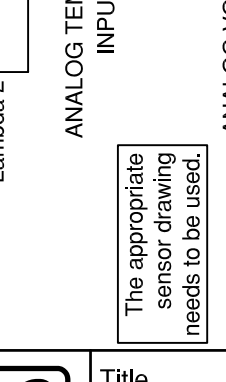
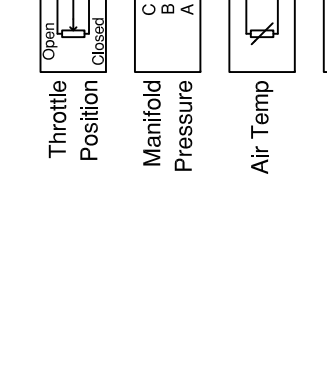
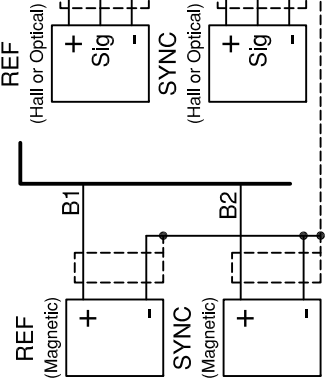
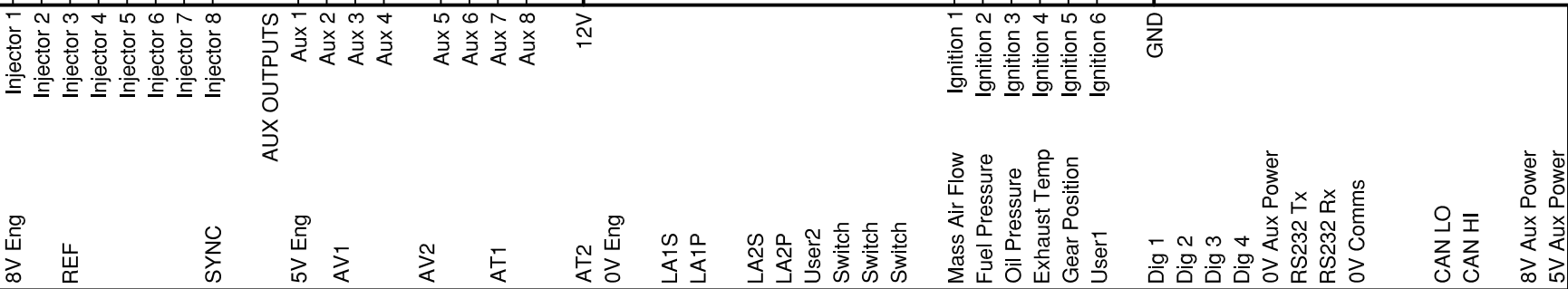


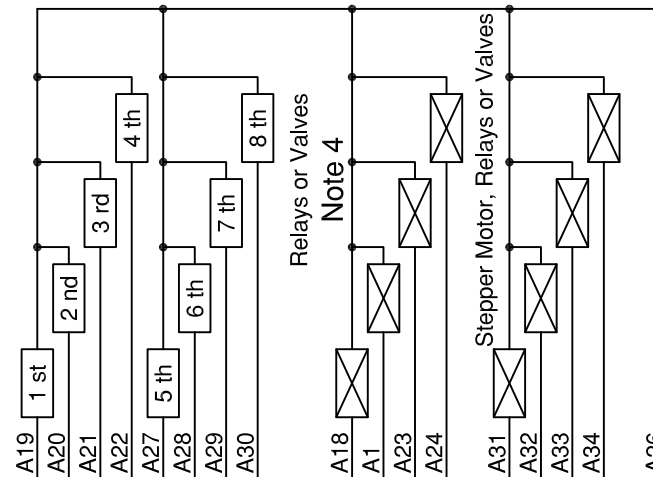
**Sensors**  
Refer to the Trigger Drawings for details



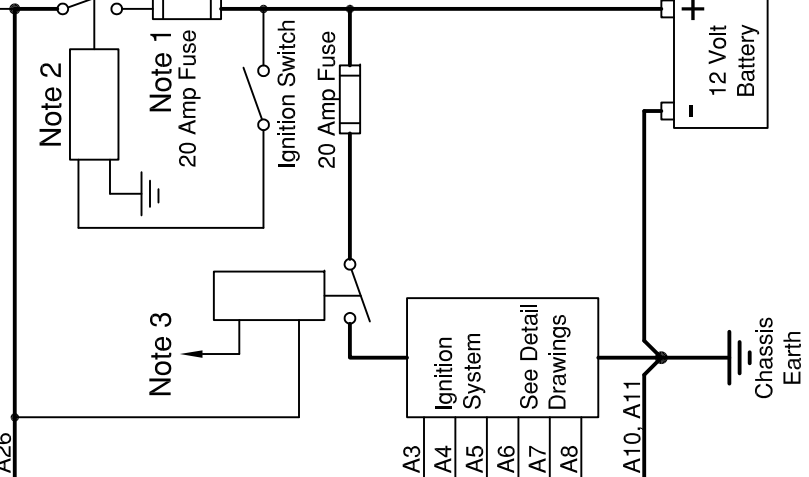
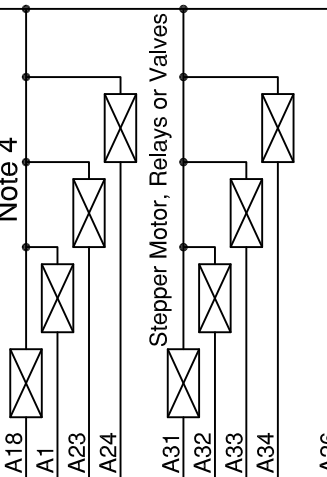
**ECU**



**Injectors** Connect in firing order for sequential operation.



**Relays or Valves**



Title M84 ECU Wiring Schematic						
Date	30.9.2010	Drawn	KMH	App	Rev	A

Sheet No	1 of 1	Drawing No	WD0006
----------	--------	------------	--------

**Note 3**  
The Ignition System Relay should be activated using the Fuel Pump control wire to ensure that the Ignition System is off when the engine is stopped. Or use the Fuel Pump Relay to power the Ignition System. This also provides reverse battery protection to the Ignition System.

**Note 4**  
Aux 1, 2, 5-8 can also drive grounded loads.  
Aux 1 and 2 are High Current.

**Note 1**  
The Fuse is essential to ensure that the ECU is not damaged by reversed battery polarity.

**Note 2**  
To avoid the Fuse blowing due to reverse battery polarity use a Diode activated Relay eg. Bosch 0332 014 112.

See drawing X25 for wiring details

The appropriate sensor drawing needs to be used.